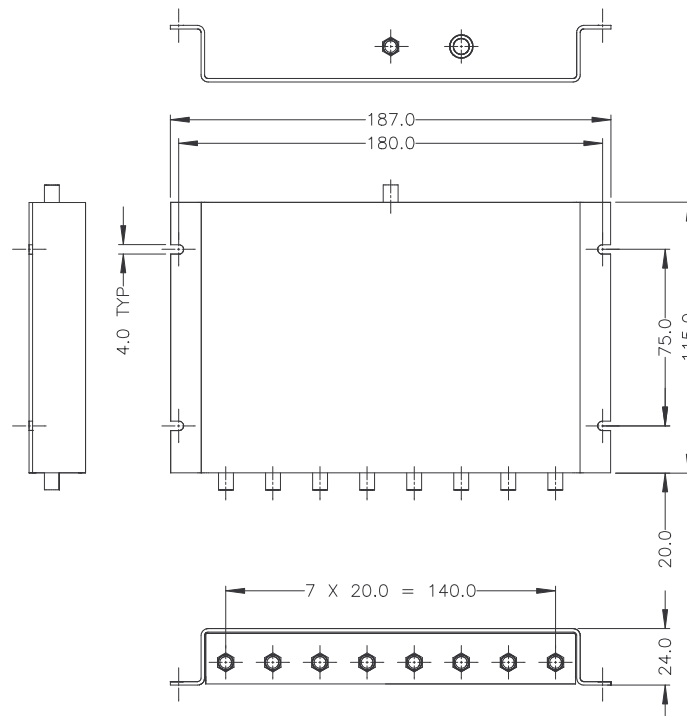


RR454 V/UHF Multicoupler Module

The RR454 is a series of broadband V/UHF multicoupler modules providing wide dynamic range performance in a compact unit for use in receiving systems where frequency coverage from 20MHz to 3000MHz is required.

Optimum low noise, “loss free” power distribution coupling is provided between a single antenna input to 8 outputs, with optimised spurious free dynamic range. The performance is characterised by low noise figure, high intermodulation product suppression and good isolation.

The RF subassembly unit is intended for use as a sub-assembly within a larger RF distribution system or at some other convenient location.



Specialists in RF techniques

Issue A
7th July 2004

Specification		Parameter	
		Option 02	Option 03
Frequency Range		20 -1000MHz	20 -3000MHz
Gain		1dB \pm 1.5dB	1dB \pm 2.5dB
Noise Figure		7.5dB maximum	7.5dB maximum
Number of Inputs		1	
Number of Outputs		8	
Output Intercept Point	2nd Order (OIP2)	36dBm	20dBm
	3rd Order (OIP3)	18dBm	10dBm
VSWR Input/Output (50 Ω)		2.2: 1 maximum	
Isolation	O/P to I/P	25dB minimum	
Maximum Input Signal	CW	10dBm	
Power Supply		+15V DC @500mA	
Connectors	RF Input	SMA socket	
	RF Output	SMA socket	
	Power (dc)	Lemo Plug	
Dimensions	Width	187mm	
	Depth	115mm	
	Height	24mm	
Temperature	Operating	-10°C to + 55°C	
	Storage	-30°C to +70°C	